

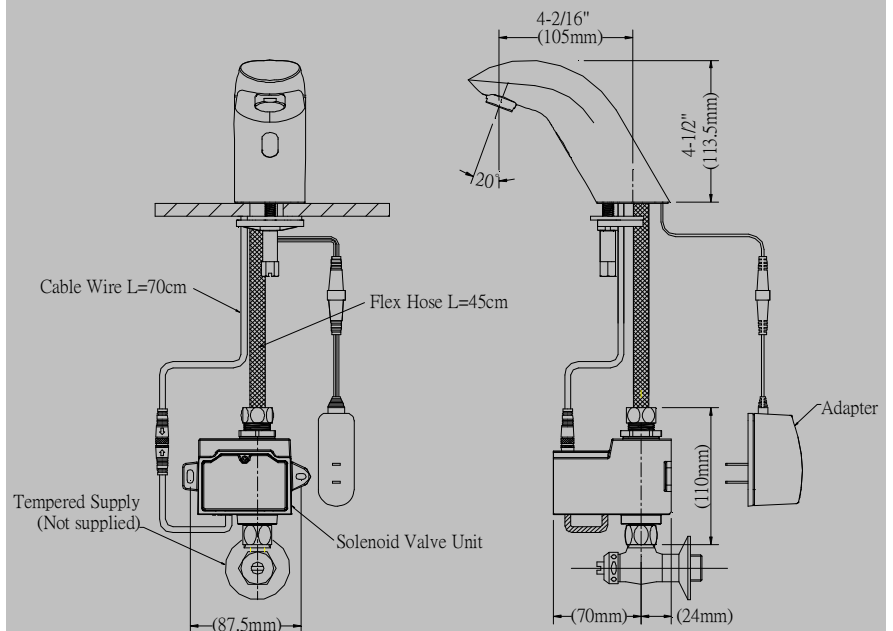
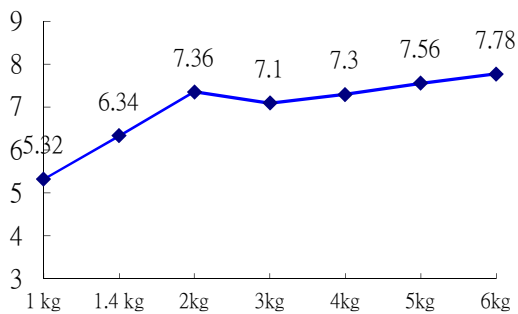
AF363AC Electronic Faucet

Spec. & Features



- ◆ Infrared Sensor : Automatic Operation
- ◆ Stable performance, infrared sensor performs perfectly even in the sunlight or any light.
- ◆ Wire Connector : IP66 waterproof, high quality and safety.
- ◆ Chrome Plated Cast Brass
- ◆ Single Supply Faucet
- ◆ Liner Adapter : Input AC110V~AC220V 50/60 Hz. Output DC 6V
- ◆ Power Consumption : 0.3W (Idle), 5W (In use)
- ◆ Infrared Sensor Range : Adjustable 5cm~ 20cm (auto adjusted)
- ◆ Shut-off Delay Time : 1sec
- ◆ Time out Setting : 60sec
- ◆ 2.2GPM/8.3LPM Laminar Flow Spray Head
- ◆ Include Filter : it filters out articles in water hence reducing maintenance cost; easy to take out and clean
- ◆ Operating Water Pressure : 10 to 100 PSI
- ◆ Water Supply Connection : PF 1/2
- ◆ Mounted on a Single-Hole Lavatory or Deck (28Φ~35Φ)
- ◆ Applicable Water Temperature : 39°F~150°F (4°C ~ 65°C)
- ◆ Easy to Install and Maintain
- ◆ Warranty : 2 years

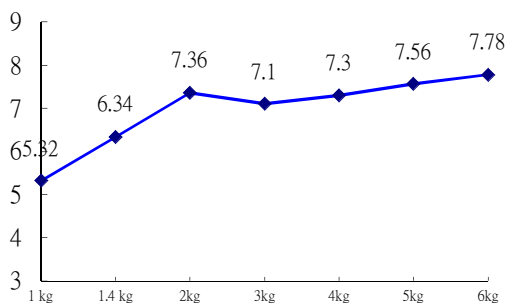
Flow (L/min)



AF363DC Electronic Faucet



Flow (L/min)



Spec. & Features

- ◆ Infrared Sensor : Automatic Operation
- ◆ Stable performance, infrared sensor performs perfectly even in the sunlight or any light.
- ◆ Wire Connector : IP66 waterproof, high quality and safety.
- ◆ Chrome Plated Cast Brass
- ◆ Battery Power : Size AA Alkaline Battery * 4pcs
- ◆ Battery Life : 3 Years (Based on 3000 cycles per month)
- ◆ Infrared Sensor Range : Adjustable 5cm~ 20cm (auto adjusted)
- ◆ Shut-off Delay Time : 1sec
- ◆ Time out Setting : 60sec
- ◆ Low Battery Indicator Light (LED)
- ◆ 2.2GPM/8.3LPM Laminar Flow Spray Head
- ◆ Include Filter : it filters out articles in water hence reducing maintenance cost; easy to take out and clean
- ◆ Operating Water Pressure : 10 to 100 PSI
- ◆ Water Supply Connection : PF 1/2
- ◆ Mounted on a Single-Hole Lavatory or Deck (28Φ~35Φ)
- ◆ Applicable Water Temperature : 39°F~150°F (4°C ~ 65°C)
- ◆ Easy to Install and Maintain
- ◆ Warranty : 2 years

