

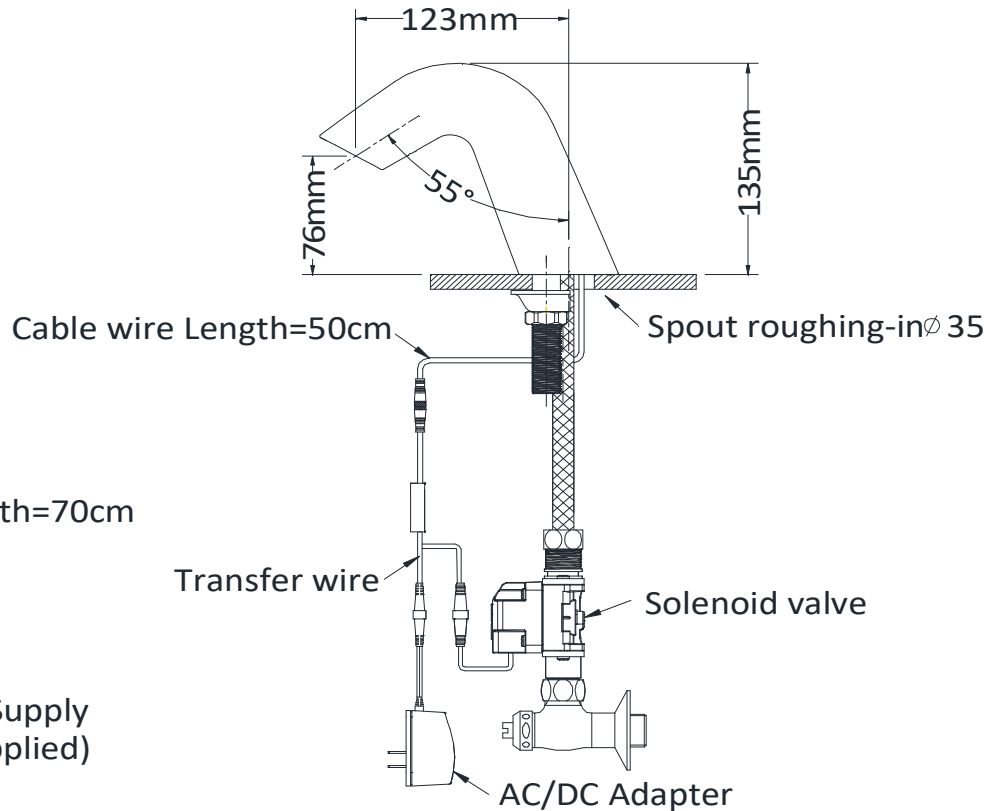
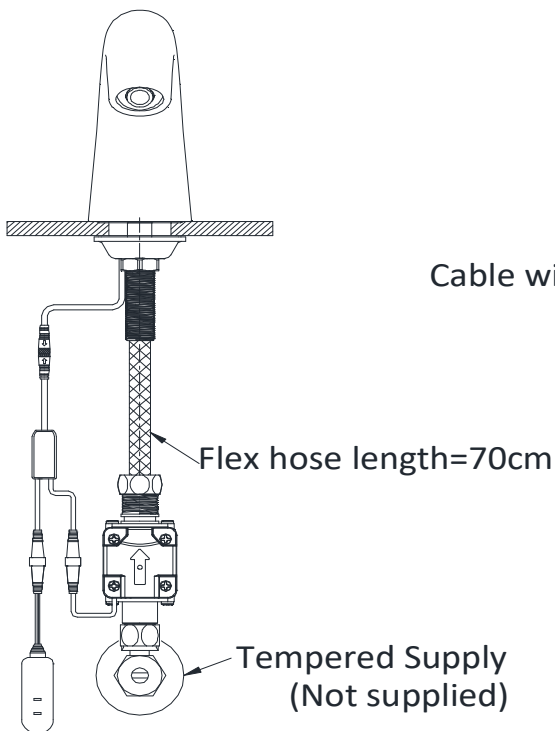
AF377AC Electronic Faucet

Spec. & Features



Faucet with Single Line Water Supply

- ◆ Infrared Sensor : Automatic Operation
- ◆ Waterproof, high quality and safety.
- ◆ Chrome Plated Cast Brass
- ◆ Liner Adapter : Input AC110V~AC220V 50/60 Hz. Output DC 6V
- ◆ Power Consumption : 0.3W (Idle), 5W (In use)
- ◆ Infrared Sensor Range : Adjustable 5cm~ 15cm (auto adjusted)
- ◆ Shut-off Delay Time : 1sec
- ◆ Time out Setting : 60sec
- ◆ 1.0GPM/3.8LPM Laminar Flow Spray Head
- ◆ Operating Water Pressure : 10 to 100 PSI
- ◆ Water Supply Connection : PF 1/2
- ◆ Mounted on a Single-Hole Lavatory or Deck ($\Phi 28 \sim \Phi 35$)
- ◆ Applicable Water Temperature : $39^{\circ}\text{F} \sim 150^{\circ}\text{F}$ ($4^{\circ}\text{C} \sim 65^{\circ}\text{C}$)
- ◆ Warranty : 2 years
- ◆ Product Compliance: ASME A112.18.1/CSA B125.1, NSF61/NSF372



AF377DC Electronic Faucet

Spec. & Features



Faucet with Single Line Water Supply

- ◆ Infrared Sensor : Automatic Operation
- ◆ Waterproof, high quality and safety.
- ◆ Chrome Plated Cast Brass
- ◆ Battery Power : Size AA Alkaline Battery * 4pcs
- ◆ Battery Life : 2 Years (Based on 3000 cycles per month)
- ◆ Infrared Sensor Range : Adjustable 5cm~ 15cm (auto adjusted)
- ◆ Shut-off Delay Time : 1sec
- ◆ Time out Setting : 60sec
- ◆ 1.0GPM/3.8LPM Laminar Flow Spray Head
- ◆ Operating Water Pressure : 10 to 100 PSI
- ◆ Water Supply Connection : PF 1/2
- ◆ Mounted on a Single-Hole Lavatory or Deck (Φ28~Φ35)
- ◆ Applicable Water Temperature : 39°F~150°F (4°C ~ 65°C)
- ◆ Warranty : 2 years
- ◆ Product Compliance:ASME A112.18.1/CSA B125.1, NSF61/NSF372

