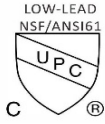


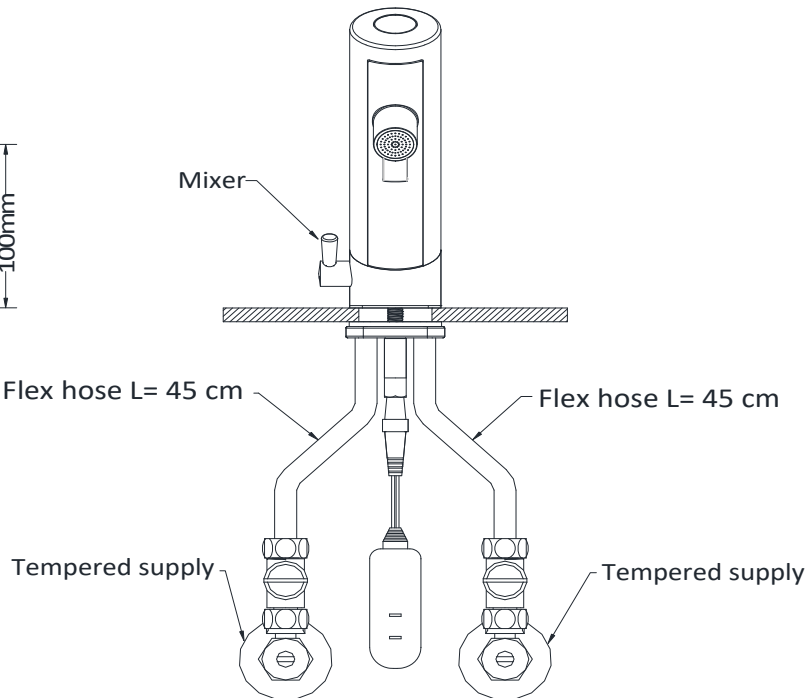
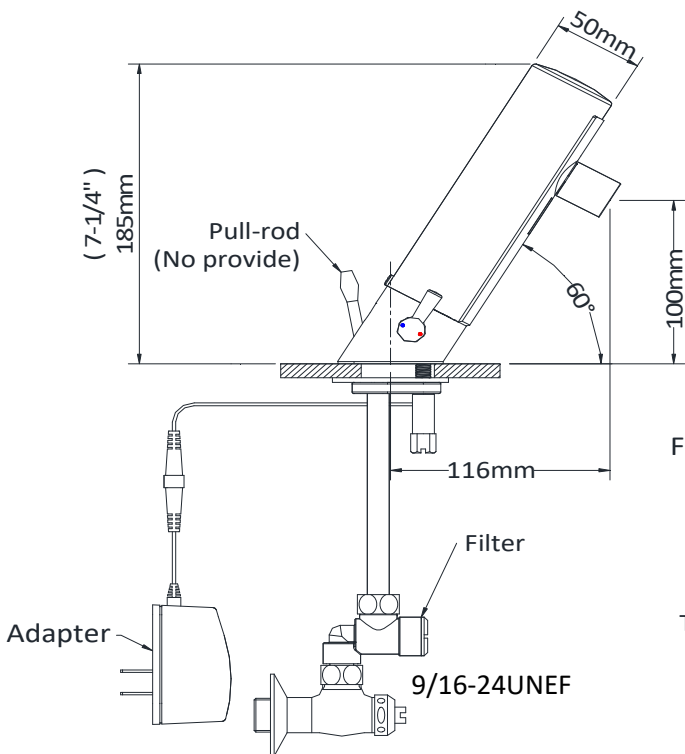
AF381AC Electronic Faucet

Spec. & Features



- ◆ Infrared Sensor : Automatic Operation
- ◆ Stable performance, infrared sensor performs perfectly even in the sunlight or any light.
- ◆ Waterproof, high quality and safety.
- ◆ Chrome Plated Cast Brass
- ◆ Liner Adapter : Input AC110V~AC220V 50/60 Hz. Output DC 6V
- ◆ Power Consumption : 0.3W (Idle), 5W (In use)
- ◆ Infrared Sensor Range : Adjustable 5cm~ 15cm (auto adjusted)
- ◆ Shut-off Delay Time : 1sec
- ◆ Time out Setting : 60sec
- ◆ 0.5GPM or 1.0GPM Laminar Flow Spray Head
- ◆ Include Filter : it filters out articles in water hence reducing maintenance cost; easy to take out and clean
- ◆ With Integral Spout Temperature Mixer
- ◆ Operating Water Pressure : 10 to 100 PSI
- ◆ Water Supply Connection : 9/16-24UNEF
- ◆ Mounted on a Single-Hole Lavatory or Deck (35Φ~45Φ)
- ◆ Applicable Water Temperature : 39°F~150°F (4°C ~ 65°C)
- ◆ Warranty : 2 years
- ◆ Product Compliance : ASME A112.18.1 / CSA B125.1, NSF/ANSI 61 NSF/ANSI 372

Faucet with Hot and Cold Water Supply



AF381DC Electronic Faucet

Spec. & Features



Faucet with Hot and Cold Water Supply

- ◆ Infrared Sensor : Automatic Operation
- ◆ Stable performance, infrared sensor performs perfectly even in the sunlight or any light.
- ◆ Waterproof, high quality and safety.
- ◆ Chrome Plated Cast Brass
- ◆ Battery Power : Size AA Alkaline Battery * 4pcs
- ◆ Battery Life : 2 Years (Based on 3000 cycles per month)
- ◆ Infrared Sensor Range : Adjustable 5cm~ 15cm (auto adjusted)
- ◆ Shut-off Delay Time : 1sec
- ◆ Time out Setting : 60sec
- ◆ 0.5GPM or 1.0GPM Laminar Flow Spray Head
- ◆ Include Filter : it filters out articles in water hence reducing maintenance cost; easy to take out and clean
- ◆ With Integral Spout Temperature Mixer
- ◆ Operating Water Pressure : 10 to 100 PSI
- ◆ Water Supply Connection : 9/16-24UNEF
- ◆ Mounted on a Single-Hole Lavatory or Deck (35Φ~45Φ)
- ◆ Applicable Water Temperature : 39°F~150°F (4°C ~ 65°C)
- ◆ Warranty : 2 years
- ◆ Product Compliance : ASME A112.18.1 / CSA B125.1, NSF/ANSI 61 NSF/ANSI 372

