

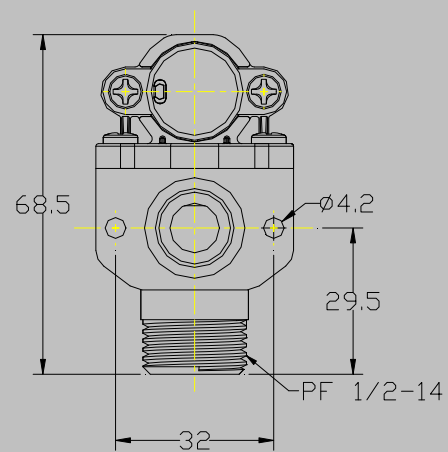
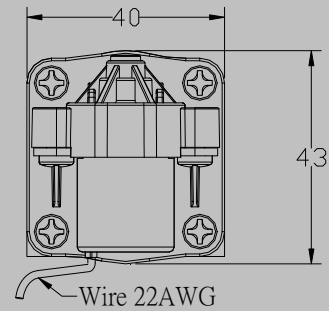
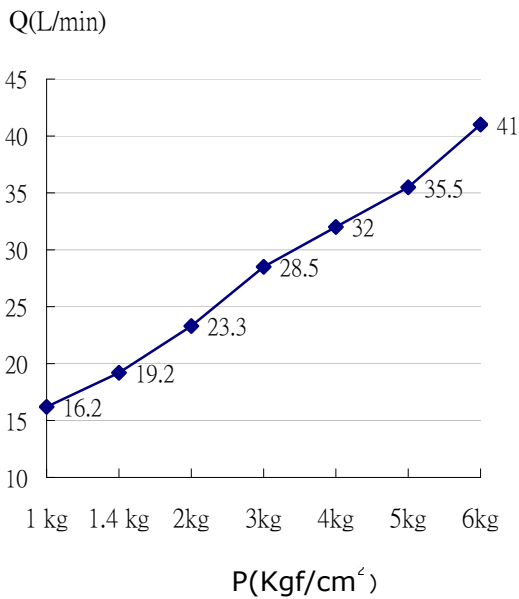
**Urinal Solenoid Valve**



**Spec. & Features**

- Model : SV200AC(Continuous Type)
- Voltage Range : DC12V±10%
- Current Consumption : DC220mA(Max)
- Power Consumption : 3W (Maximum)
- Coil Resistance : 55Ω
- Flow Rate (1kgf/cm<sup>2</sup>) : 16L/min(Minimum)
- Mechanic Life : 500000 Cycles
- Pressure Stand : 35Kgf/cm<sup>2</sup> , 1 minute
- Water Pressure : 0.5 ~ 7.5Kgf/cm<sup>2</sup>
- Ambient Temperature Range : 4°C ~ 50°C
- Ambient Humidity Range : 90% RH
- Outline Dimension : 43mm\*40mm\*68.5mm

**Flow Rate chart**



**Urinal Solenoid Valve**

**Spec. & Features**



Model : SV200DC(Latch Type)  
 Voltage Range : DC6V±10%  
 Current Consumption : DC500mA(Max)  
 Power Consumption : 3W (Maximum)  
 Pulse (ms): ON 25 ms / OFF 15 ms  
 Coil Resistance : 12Ω  
 Flow Rate (1kgf/cm<sup>2</sup>) : 16L/min(Minimum)  
 Mechanic Life : 500000 Cycles  
 Pressure Stand : 35Kgf/cm<sup>2</sup> , 1 minute  
 Water Pressure : 0.5 ~ 7.5Kgf/cm<sup>2</sup>  
 Ambient Temperature Range : 4°C ~ 50°C  
 Ambient Humidity Range : 90% RH  
 Outline Dimension : 43mm\*40mm\*68.5mm

Flow Rate chart

