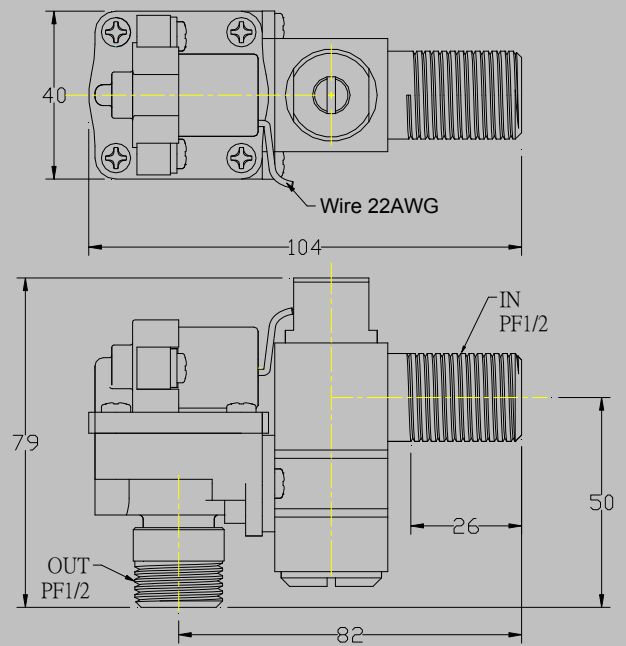
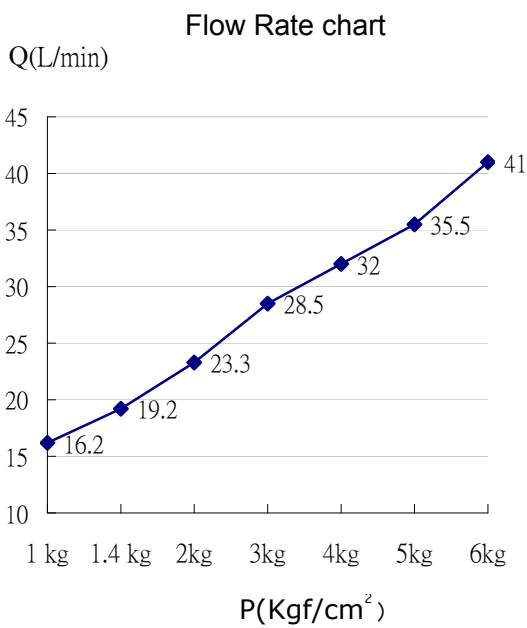


Urinal Solenoid Valve

Spec. & Features



Model : SV210AC(Continuous Type)
 Voltage Range : DC12V±10%
 Current Consumption : DC220mA(Max)
 Power Consumption : 3W (Maximum)
 Coil Resistance : 55Ω
 Flow Rate (1kgf/cm²) : 16L/min(Minimum)
 Mechanic Life : 500000 Cycles
 Pressure Stand : 35Kgf/cm² , 1 minute
 Water Pressure : 0.5 ~ 7.5Kgf/cm²
 Ambient Temperature Range : 4°C ~ 50°C
 Ambient Humidity Range : 90% RH
 Outline Dimension : 104*40*79mm



Urinal Solenoid Valve

Spec. & Features



Modle : SV210DC(Latch Type)
 Voltage Range : DC6V±10%
 Current Consumption : DC500mA(Max)
 Power Consumption : 3W (Maximum)
 Pulse (ms): ON 25 ms / OFF 15 ms
 Coil Resistance : 12Ω
 Flow Rate (1kgf/cm²) : 16L/min(Minimum)
 Mechanic Life : 500000 Cycles
 Pressure Stand : 35Kgf/cm² , 1 minute
 Water Pressure : 0.5 ~ 7.5Kgf/cm²
 Ambient Temperature Range : 4°C ~ 50°C
 Ambient Humidity Range : 90% RH
 Outline Dimension : 104*40*79mm

Flow Rate chart

